

DALLAS

burhéns

Art. Code: 0037

www.burbens.com



LINO 11231-54 COGNAC

FRAME

All structural parts of the frame are made of solidwood.

SEAT CUSHION

The core consists of 35 kg (N120) highly elastic shape cut cold foam covered with a mix of siliconized fiber and feather.

The cushion is reversible (not apply to leather).

BACK CUSHION

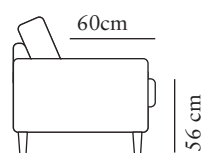
The core consists of 30 kg (N40) highly elastic shape cut cold foam covered with a mix of siliconized fiber and feather.

The cushion is reversible (not apply to leather).

UPHOLSTERY

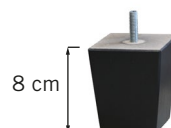
The style is fixed and loose cover and available with fabric and leather (not leather).

The covers / cushion covers, in fabric, can be removed and washed according to washing instructions (not leather).

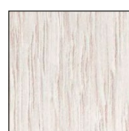


LEGS

No 1



COLOURS



04
White
Pigmented Oak



05
Oiled Oak



06
Oiled Walnut



03
Colonial



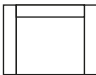

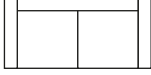
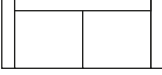
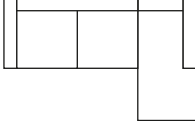

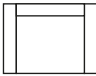
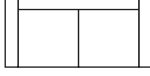
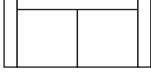
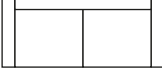

02
Black

DALLAS

burhéns

www.burhens.com

Measurements may vary +/-3%, depending on the choice of upholstery and combination.

<p>1,5-SEATER Art. Code: 1150-1013</p>  <p>width•depth•height 141•111•98</p>	<p>2,5-SEATER Art. Code: 1250-1013</p>  <p>width•depth•height 201x111x98</p>	<p>3-SEATER (2/2) Art. Code: 1303-1013</p>  <p>width•depth•height 221x111x98</p>	<p>3,5-SEATER (2/2) Art. Code: 1361-1013</p>  <p>width•depth•height 261•111•98</p>	<p>2,5+CHL R Art. Code CHL L: 1710-1013 Art. Code CHL R: 1709-1013</p>  <p>width•depth•height 294x111/177x98</p>	<p>FOOTSTOOL 2 Art. Code: 1051-0000</p>  <p>width•depth•height 120•80•54</p>
<p>1,5-SEATER LC Art. Code: 1150-1013</p>  <p>width•depth•height 141•111•98</p>	<p>2,5-SEATER LC Art. Code: 1250-1013</p>  <p>width•depth•height 201x111x98</p>	<p>3-SEATER (2/2) LC Art. Code: 1252-1013</p>  <p>width•depth•height 221x111x98</p>	<p>3,5-SEATER (2/2) LC Art. Code: 1361-1013</p>  <p>width•depth•height 261•111•98</p>	<p>FOOTSTOOL 2 LC Art. Code: 1051-0000</p>  <p>width•depth•height 120•80•54</p>	