

BINGO

burhéns

Art. Code: 0018

www.burhens.com



FRAME

All structural parts of the frame are made of solidwood.

SEAT CUSHION

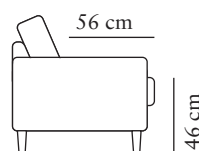
The core consists of two layers of 35 kg (N120) highly elastic shaped cut cold foam and 30 kg (N180) polyether with various thicknesses, covered with fiber padding.

BACK CUSHION

The core consists of 14 kg polyether, covered with fiber padding.

UPHOLSTERY

The style is fixed cover and available with fabric and leather.



LEGS

only C MODULE 90°



COLOURS



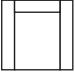


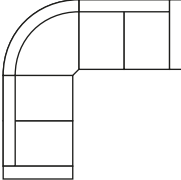
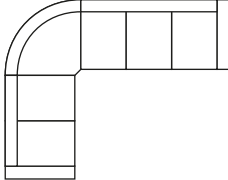
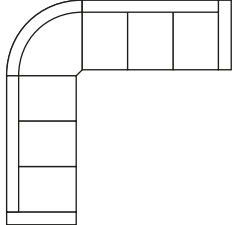
11
Brown

BINGO

burhéns

www.burhens.com

Measurements may vary +/-3%, depending on the choice of upholstery and combination.

<p>1-SEATER Art. Code: 1100-1013</p>  <p>width•depth•height 95x86x95</p>	<p>2-SEATER Art. Code: 1200-1013</p>  <p>width•depth•height 140x86x95</p>	<p>3-SEATER (3) Art. Code: 1302-1013</p>  <p>width•depth•height 190x86x95</p>	<p>2C2 Art. Code: 1620-1013</p>  <p>width•depth•height 215x215x95</p>	<p>2C3(3) Art. Code 3C2: 1640-1013 Art. Code 2C3: 1639-1014</p>  <p>width•depth•height 265/86x215/86x95</p>	<p>3(3)C3(3) Art. Code: 1638-1013</p>  <p>width•depth•height 265x265x95</p>
---	--	--	--	---	--