






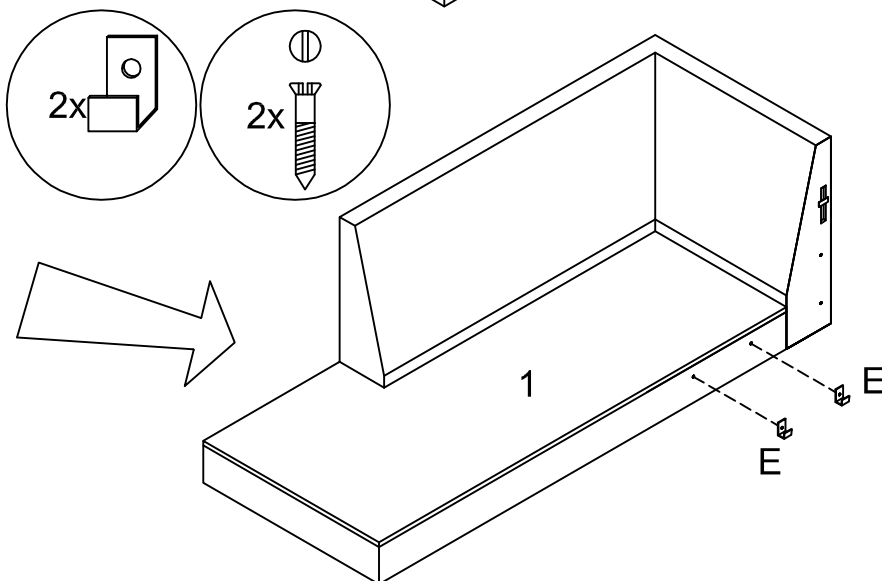
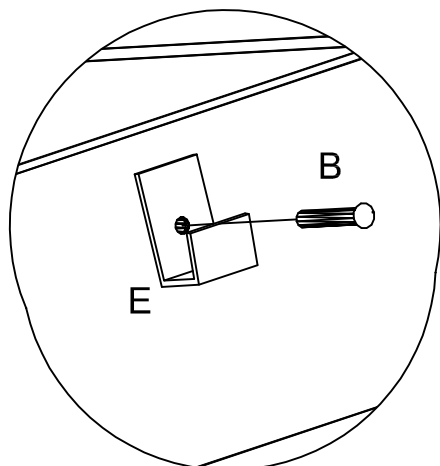
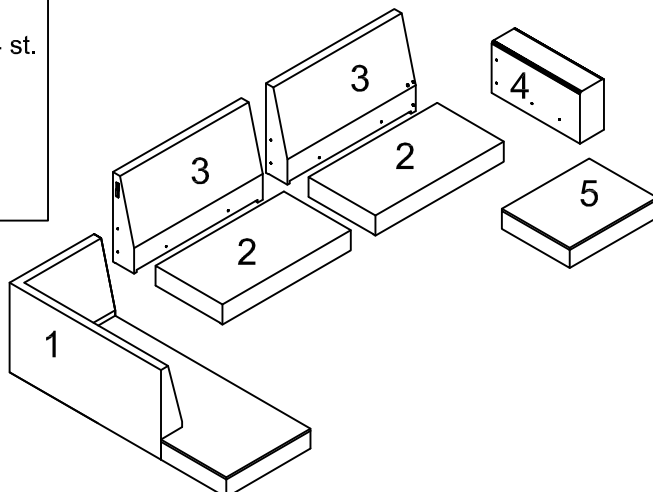
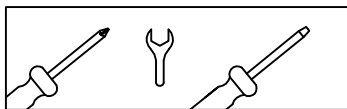


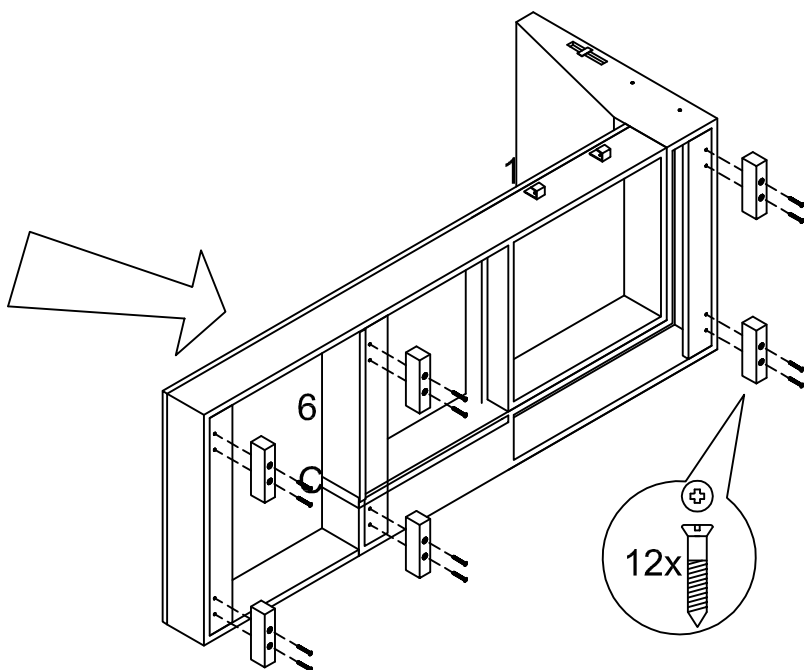
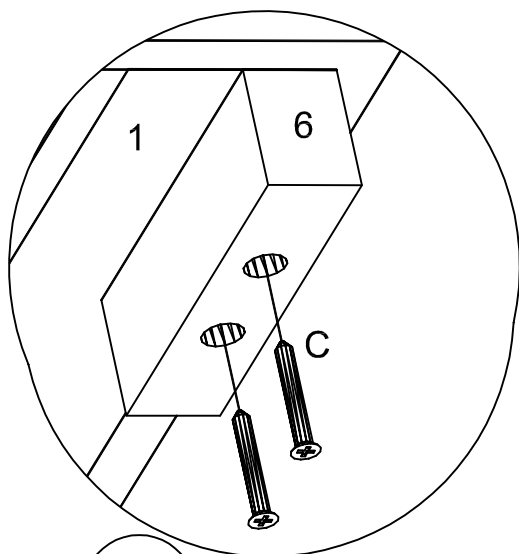
Torslanda U-SOFFA (E Div+3M+DivL/R+Am)

1- - 1st.		A- 8 st.		B- 4 st.		C- 28 st.		G- 4 st.
2- - 2st.	M8		M8		M4		M8	
3- - 2st.								
4- - 1st.								
5- - 1st.								
6- - 14st.		D- 12 st.		E- 4 st.		F- 8 st.		
7- - 1st.	Ø 8				M8			

verktygsbehov

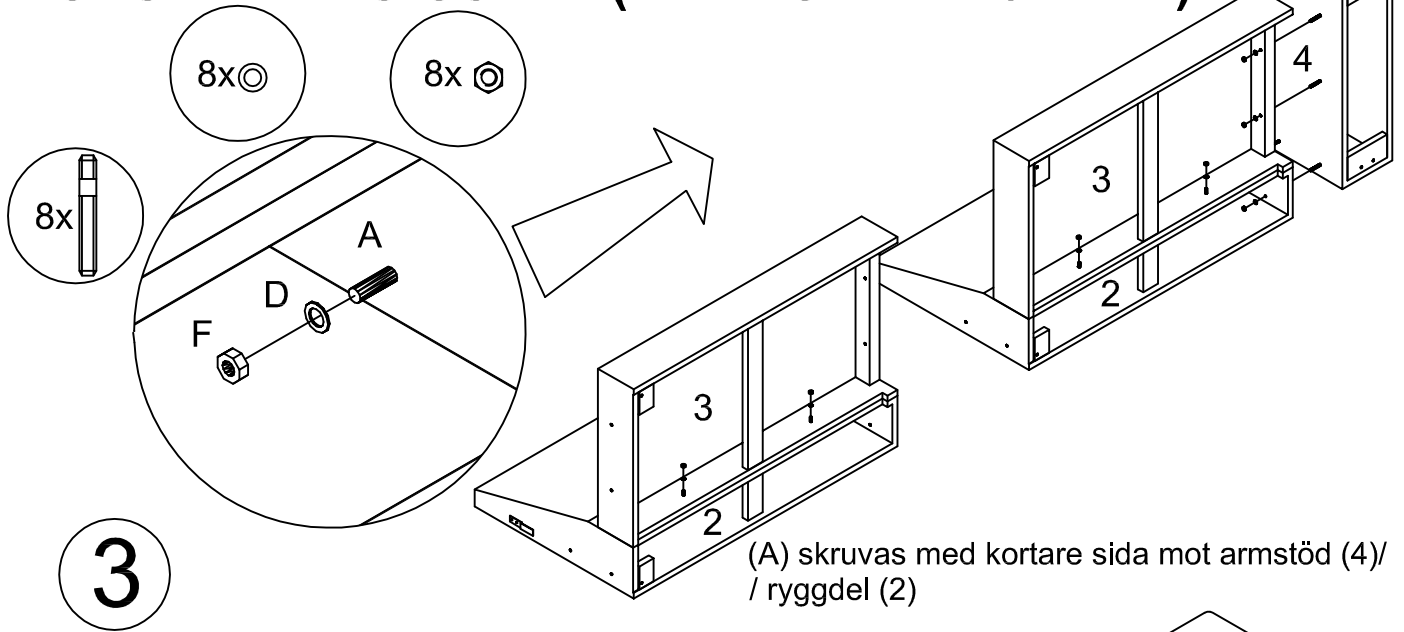


1

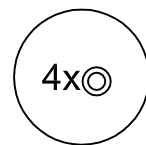
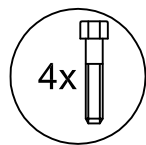
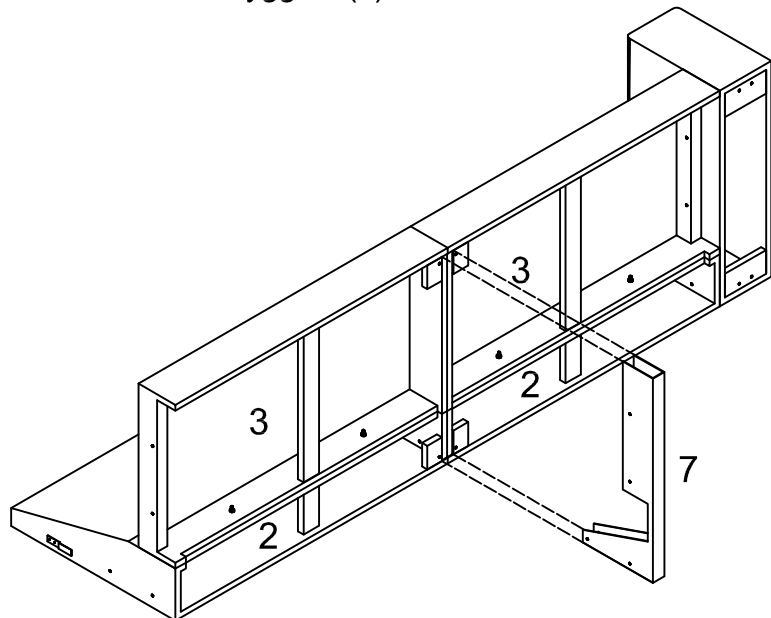


2

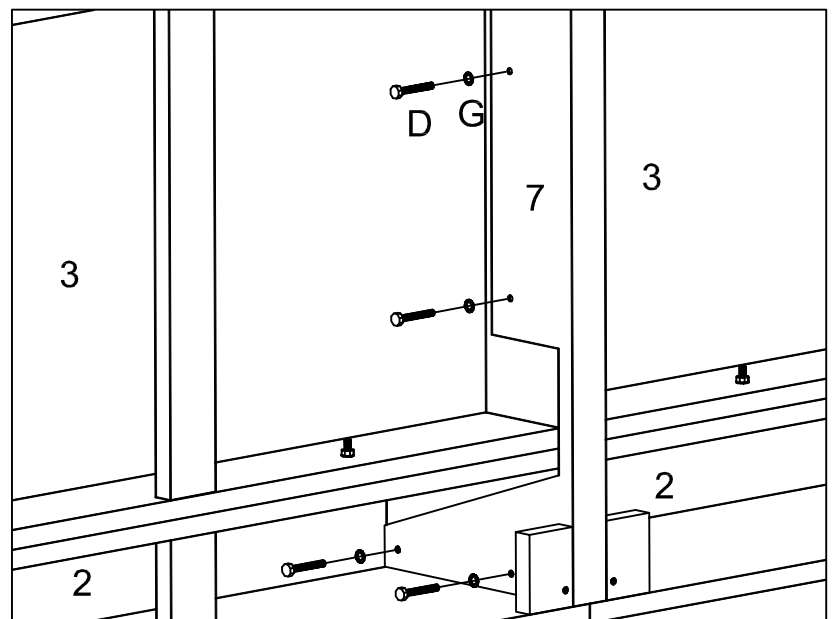
TORSLANDA U-SOFFA (E Div+3M+DivL/R+Am)



4

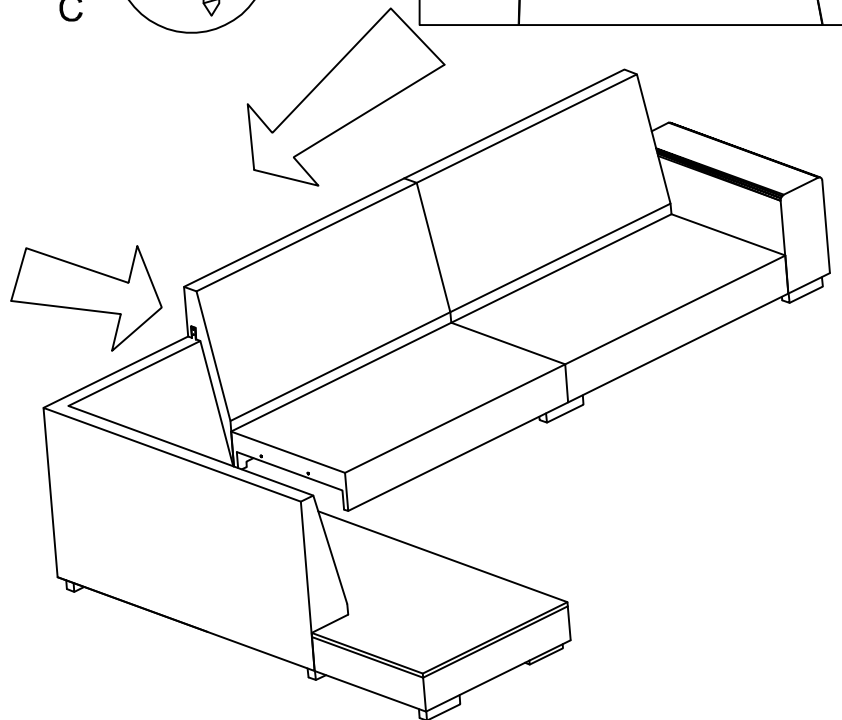
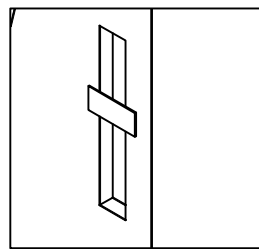
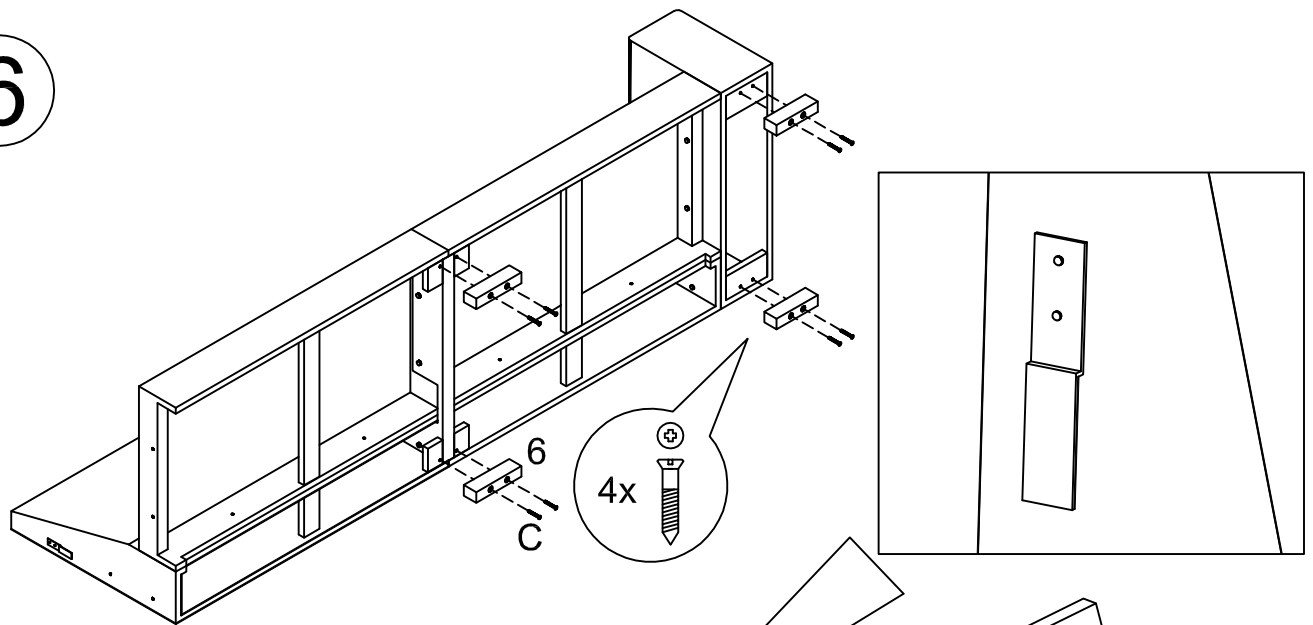


5

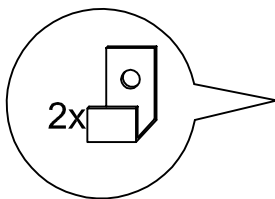
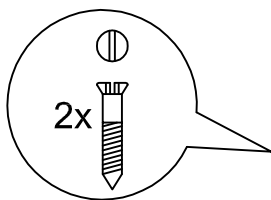


Torslanda U-SOFFA (E Div+3M+DivL/R+Am)

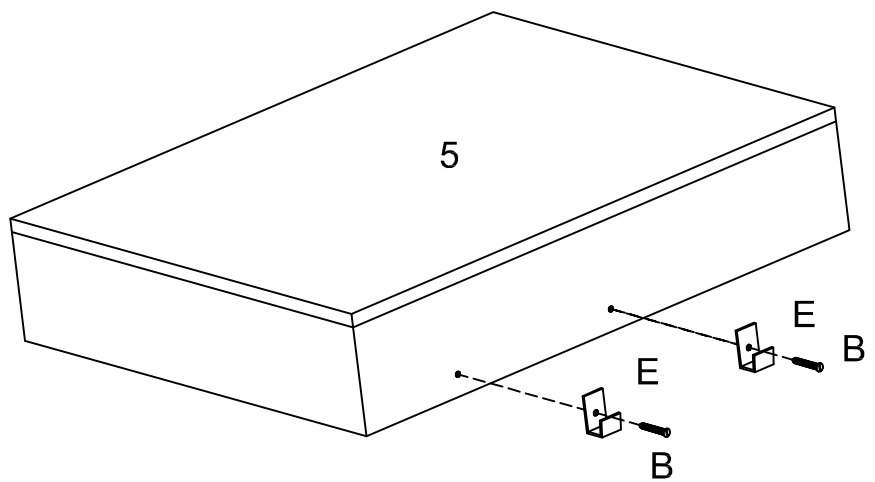
6



7

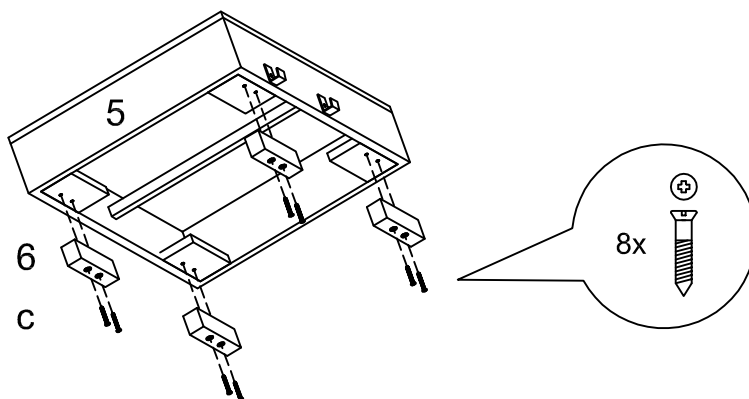


8

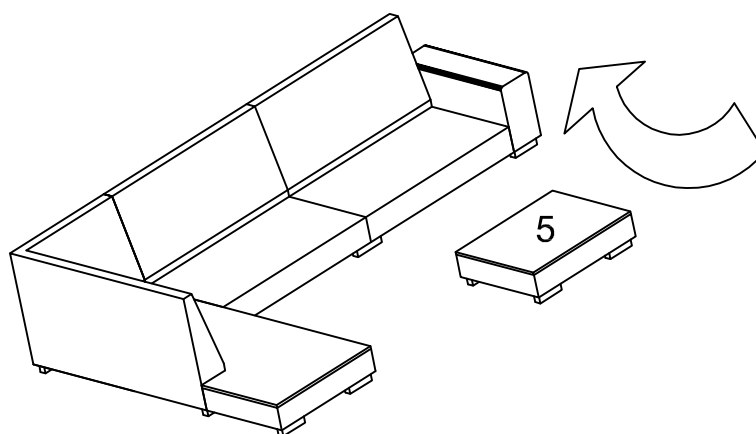


Torslanda U-SOFFA (E Div+3M+DivL/R+Am)

9



10



11

